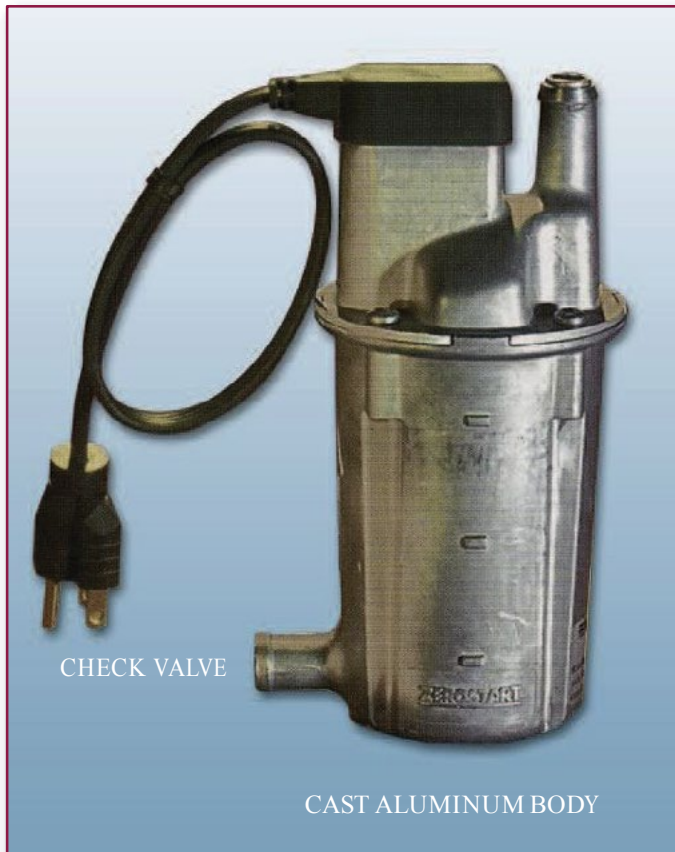


ZEROSTART

HEATING PRODUCTS

SERIES 8000 TANK / CIRCULATION HEATER

The newly designed tank/circulation heater offers very dependable engine starts all winter long. By circulating warmed coolant through the engine, it assures fast defrost and heater action while greatly decreasing engine emissions associated with cold starts.



Standard Features:

- Cylindrical design of heater and simple installation using the universal mounting strap allowing for convenient new or replacement installations.
- Rugged diecast aluminum construction is corrosion and impact resistant.
- Thermostat provides overheat protection.
- Integral check valve supports extensive range of plumbing configurations.
- Top-side location of power cord connection provides damage protection from road debris/substance.
- Lead-free heaters utilize recyclable aluminum, plastic and copper to help protect the environment.

Rugged Construction:

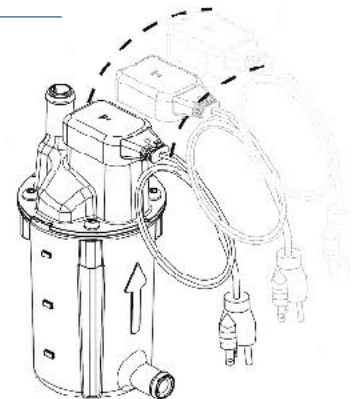
- Diecast aluminum construction eliminates potential leak points at weld joints.
- Mounting strap retention ridges properly secure heater preventing slippage.
- Coolant tank designed to minimize potential of trapped air in tank.
- Offers 750W-1500W with 5/8" (15.8mm) hose connections.
- Tested for 100K cycles.

Copper Heating Element:

- Provides better heat transfer than alternative materials.
- Improves heat transfer for maximum heater life.
- Utilizes 3-point securement for high vibration resistance.
- Corrosion resistant.

Replaceable Power Cord:

- Detachability enhances ease of installation.
- Uses standard 3-prong 15 Amp plug.
- Eliminates removal of entire unit for replacement of the cord.



Approved to U.S and
Canadian standards.

CUSTOMER SERVICE
9700 West 74th Street,
Eden Prairie, MN 55344
Phone: 952-941-9700

Toll-Free: 800-328-6108
Fax: 952-941-2285
sales@phillipsandtemro.com
customerservice@phillipsandtemro.com

PHILLIPS & TEMRO
industries®

WWW.PHILLIPSANDTEMRO.COM

SERIES 8000 TANK/CIRCULATION HEATER

PART NUMBER DATA FOR 750-1500 WATT APPLICATIONS

PART	WATTS	VOLTAGE	HOSE CONNECTIONS DIAMETER
3308001	750	120	5/8"
3308002	1000	120	5/8"
3308003	1500	120	5/8"

* Series 8000 18" Replacement Cord - 3309001

** Series 8000 60" Replacement Cord - 3309002

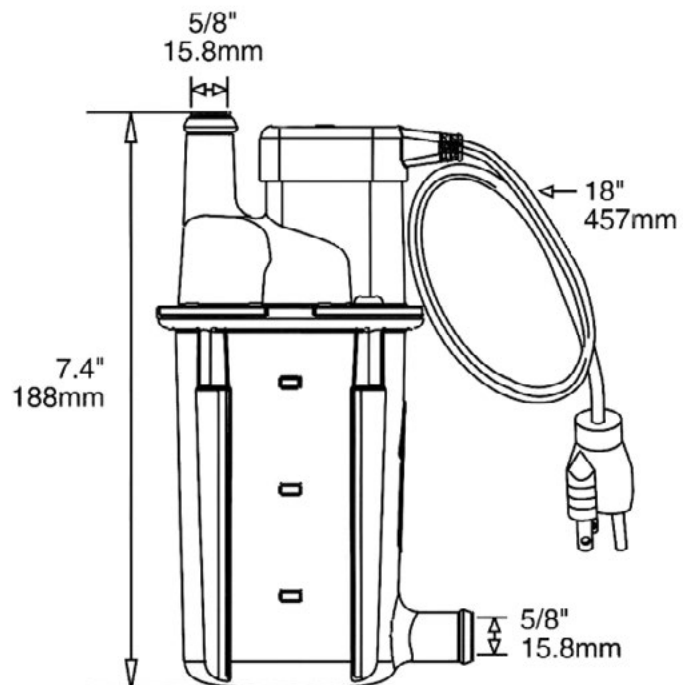
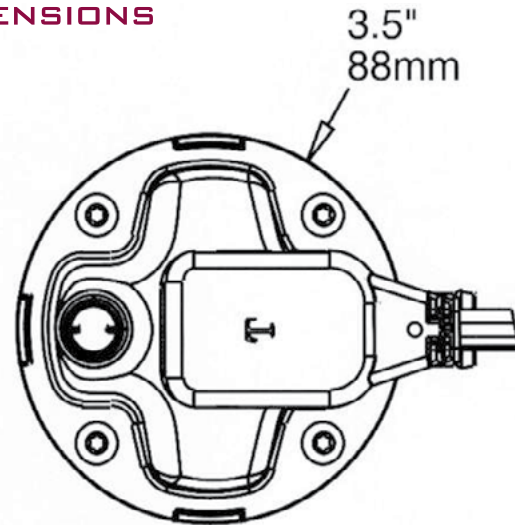
FOR 2000 WATT APPLICATIONS

3300091*	2000	120	5/8"
----------	------	-----	------

* Series 41 Industrial Tank Heater

See page 72 of the ZEROSTART Application Guide and Product Catalog for descriptions and dimensions

PRODUCT DIMENSIONS



Overheat Thermostat:

- Withstands overheat conditions without damaging heater or creating hazards.
- De-energizes heater in overheat condition to protect components.
- Measures temperature at heating element for quick response.
- Tested for 100,000 cycles.

All specifications are subject to change. Manufactured and printed in the USA.



CUSTOMER SERVICE Toll Free: 800-328-6108 Fax: 952-941-2285
 Email: sales@phillipsandtemro.com
 Web: www.phillipsandtemro.com

PHILLIPS & TEMRO
 industries®